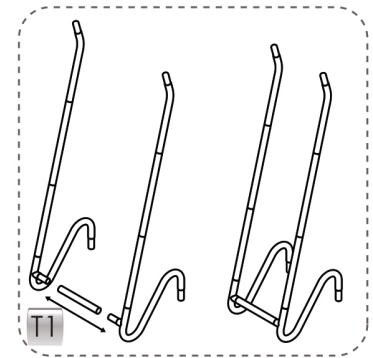
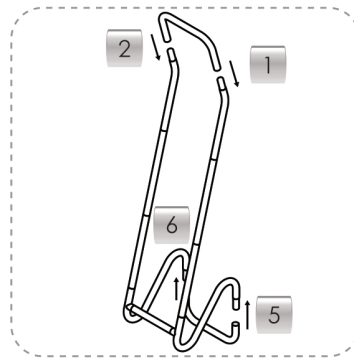


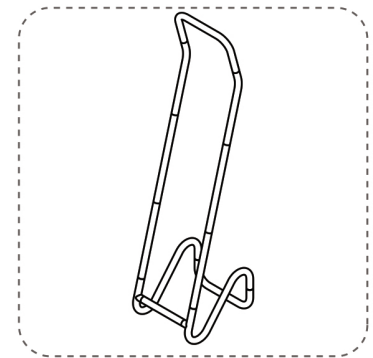
**1** Connect the tubes of the middle part



**2** Connect the tubes of the bottom part

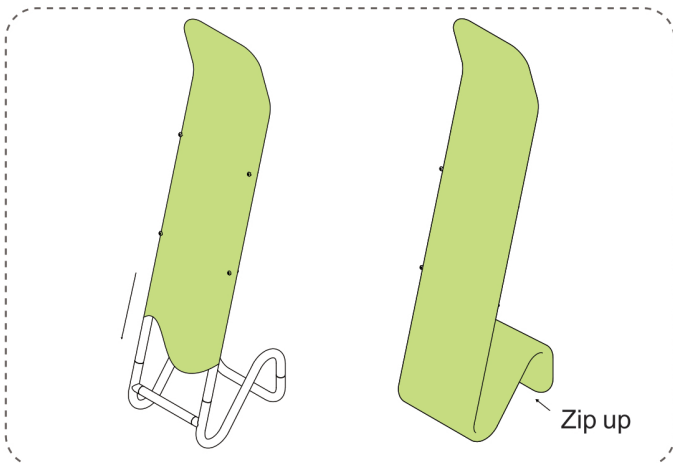


**3** Then connect the tubes of the top part

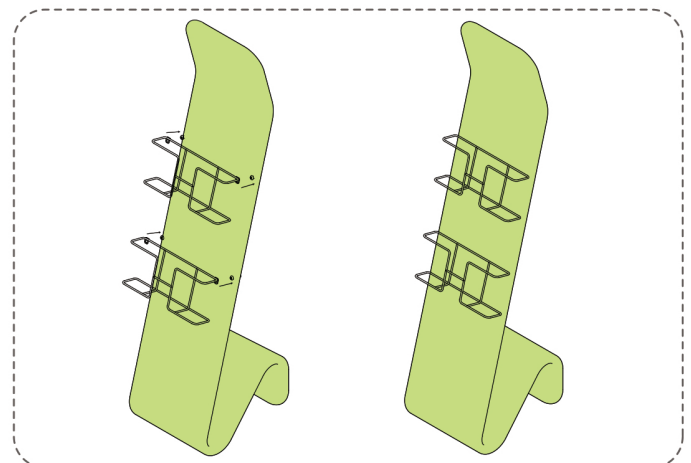


**4** Finished

## Graphic Setup Instruction



**5** Wrap up the frame with the graphic from top to bottom then zip up



**6** Put the catalogue shelves on the stand, use the hexagonal Key to fix the screw in place